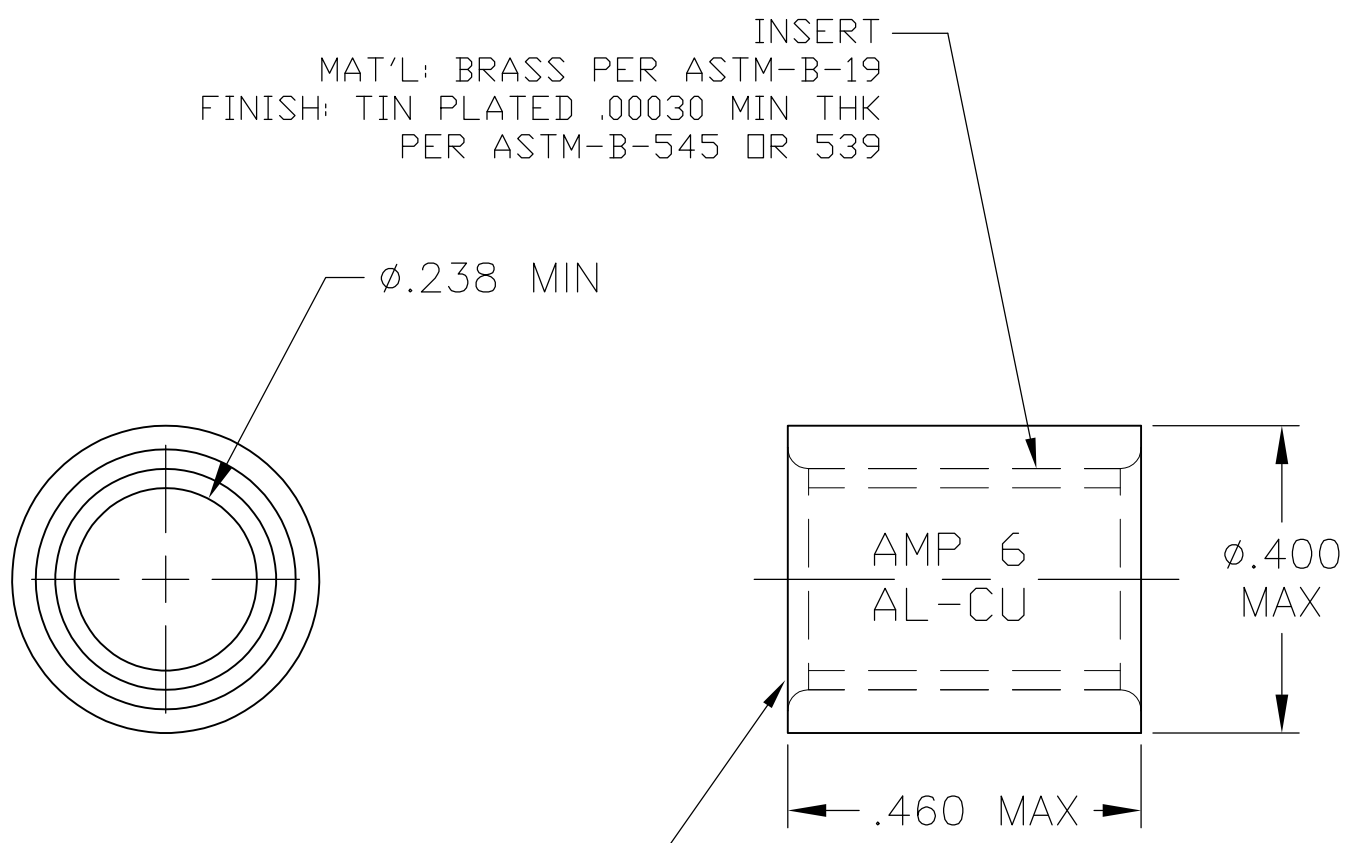


THIS DRAWING IS UNPUBLISHED. RELEASED FOR PUBLICATION
 © COPYRIGHT BY TYCO ELECTRONICS CORPORATION. ALL INTERNATIONAL RIGHTS RESERVED.

LOC		DIST		REVISIONS			
P	LTR	DESCRIPTION		DATE	DWN	APVD	
	H	REV PER ECO-09-028160		29DEC09	PY	JW	



INSERT
 MAT'L: BRASS PER ASTM-B-19
 FINISH: TIN PLATED .00030 MIN THK
 PER ASTM-B-545 OR 539

BODY
 MAT'L: COPPER PER ASTM-B-152
 FINISH: TIN PLATED
 PER ASTM-B-545 OR 539

52746
 PART NUMBER

THIS DRAWING IS A CONTROLLED DOCUMENT.		DWN C.C.THOMAS 9-2-09	Tyco Electronics Corporation Harrisburg, PA 17105-3608													
DIMENSIONS: INCHES		CHK J.WEAVER 9-2-09	NAME SPLICE, PARALLEL, COPALUM, STRANDED/SOLID, WIRE SIZE #6													
TOLERANCES UNLESS OTHERWISE SPECIFIED:		APVD J.WEAVER 9-2-09	PRODUCT SPEC													
<table border="1"> <tr><td>0 PLC</td><td>± -</td></tr> <tr><td>1 PLC</td><td>± -</td></tr> <tr><td>2 PLC</td><td>± -</td></tr> <tr><td>3 PLC</td><td>± -</td></tr> <tr><td>4 PLC</td><td>± -</td></tr> <tr><td>ANGLES</td><td>± -</td></tr> </table>		0 PLC	± -	1 PLC	± -	2 PLC	± -	3 PLC	± -	4 PLC	± -	ANGLES	± -	APPLICATION SPEC		RESTRICTED TO
0 PLC	± -															
1 PLC	± -															
2 PLC	± -															
3 PLC	± -															
4 PLC	± -															
ANGLES	± -															
MATERIAL SEE TABLE	FINISH SEE TABLE	WEIGHT -	SIZE A3	CAGE CODE 00779	DRAWING NO C-52746											
CUSTOMER DRAWING			SCALE 2:1	SHEET 1 OF 1	REV H											